



# IX100/202

## Retail printing scales

The stylish IX series printing scales offer an outstanding range of features at the lowest price available.

- ◆ Most economical scale in its class.
- ◆ LCD display shows product description and enables easy programming.
- ◆ FREE PC-to-scale software included.
- ◆ Ready to weigh in minutes with simple set-up and configuration
- ◆ Flexible pre-pack, label & receipt printing from one scale.
- ◆ Network up to 9 scales.
- ◆ Easy to access, fast loading printer with take-up spool (below).
- ◆ Legal for Trade following local Weights & Measure certification.



# Retail printing scales

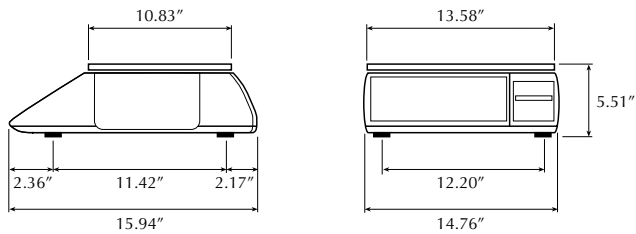
Designed to suit small independents and convenience stores, the IX series meets the essential needs of the local retailer at the most economical price. With free PC-to-scale software and a compact footprint to suit a variety of counter sizes, it's never been easier to maintain prices, labels and COOL standards.

## Features

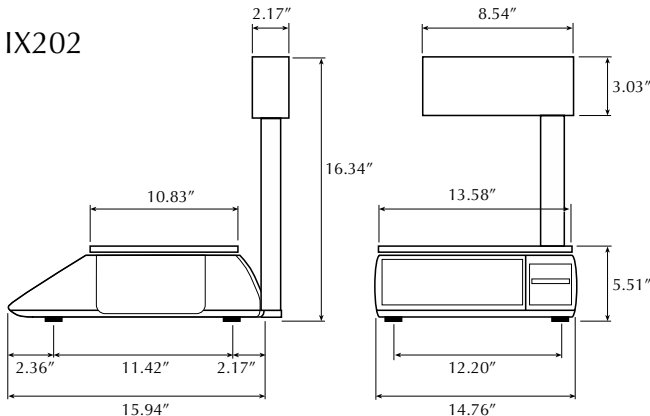
- ◆ **Easy to read, backlit LCD display**
- ◆ **Details of up to 1000 products and prices can be stored and recalled**
- ◆ **Easy access thermal printer**
- ◆ **Wipe clean, membrane keyboard**
- ◆ **Envelope pocket for custom keyboard overlay**
- ◆ **MX020 - FREE, easy-to-use PC software to manage your scale.**
- ◆ **Network up to 9 IX scales**

## Dimensions

### IX100



### IX202



## Specifications

- ◆ **Design**  
*IX100* – One-piece modular design.  
*IX202* – Customer tower display with extended keyboard.
- ◆ **Weighing Capacities Available**  
15 kg x 5 g,  
30 lb x 0.01 lb.
- ◆ **Display**  
Backlit LCD displays
- ◆ **Printer**  
Easy-access, thermal label and receipt printer with take-up spool for backing paper:  
2.2 in/second print speed.  
3.94 in/100 mm diameter roll.  
2.2 in/56 mm print width.
- ◆ **Keyboard**  
Wipe clean keyboard with audible beep.  
Fast number entry via cluster key arrangement.  
Envelope pocket for keyboard overlay.  
*IX100* – 57 key keyboard. 34 direct PLUs.  
*IX202* – 79 key keyboard. 56 direct PLUs.
- ◆ **Data Memory**  
Details of 1000 products/prices can be stored and recalled.
- ◆ **Operators**  
Up to eight operators can serve customers from any of the scales on the network.
- ◆ **Barcodes**  
EAN 8/EAN 13/UPC 12/UPC 13
- ◆ **Interfaces**  
RS485 scale interface as standard. Nine scales may be linked in a network.  
RS232 link to PC or barcode scanner.  
Cash drawer interface.
- ◆ **Management Reports**  
PLU, group and operator totals.

© Avery Weigh-Tronix, LLC 2006. All rights reserved. This publication is issued to provide outline information only which, unless agreed by Avery Weigh-Tronix in writing, may not be regarded as a representation relating to the products or services concerned. Avery Weigh-Tronix reserves the right to alter without notice the specification, design, price or conditions of supply of any product or service.

**Avery Weigh-Tronix**  
**(Retail North America)**  
1000 Armstrong Drive, Fairmont, MN 56031

PH Toll-Free: 800-237-1886  
PH: 507-238-4461  
FAX Toll-Free: 800-237-2063  
FAX: 507-238-8756

E-mail: [sales@AveryBerkelUSA.com](mailto:sales@AveryBerkelUSA.com)  
Internet: [www.AveryBerkelUSA.com](http://www.AveryBerkelUSA.com)

## Avery Weigh-Tronix

